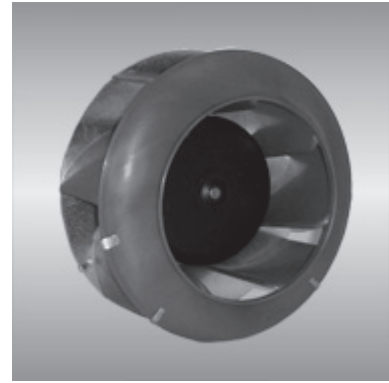


# Ø 133 BG series

x91mm



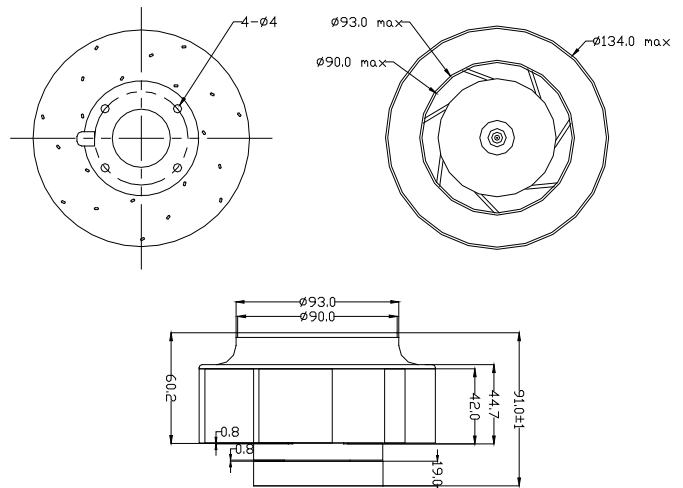
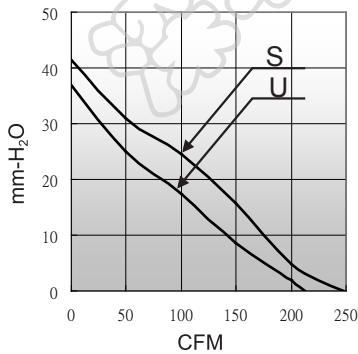
## General Specifications

- Motor : 8 Poles brushless DC motor
- Frame & Impeller : Al die casting & plastic
- Storage temperature : -40°C to +75°C
- Operating temperature : -10°C to +70°C

## Major Characteristic Parameters

Model	Bearing System	Rated Voltage	Operating Voltage Range	Rated Current	Rated Speed	Maximum Air Flow		Maximum Static Pressure		Sound Level	Weight
Part NO.	B / S / F	V	V	A	RPM	m <sup>3</sup> /min	CFM	mm-H <sub>2</sub> O	In-H <sub>2</sub> O	dBA	Kg
BGN13391B24U	B	24	18.0~28.0	1.6	4000	6.00	212	36.8	1.45	65	0.74
BGN13391B48U	B	48	36.0~56.0	0.8	4000	6.00	212	36.8	1.45	65	0.74
BGN13391B48S	B	48	36.0~56.0	1.3	4500	7.00	247	41.5	1.63	70	0.74

\*Bearing system B: Two Ball Bearing F: Fluid Bearing S: Sleeve Bearing



unit:mm